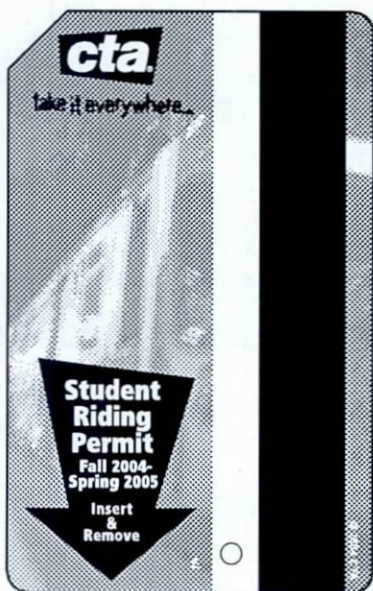


Chicago Transit Authority

# Magnetic Student Riding Permit

2004-2005 School Year



[www.transitchicago.com](http://www.transitchicago.com)

take it everywhere...

*Copied from internet. Color: Black and violet*

# How Your CTA Magnetic Student Riding Permit Works

## VALID DATES:

August 16, 2004, through  
June 24, 2005, Monday  
through Friday, 5:30 a.m.  
to 8:00 p.m.



CTA's Magnetic Student Riding Permit offers a convenient way to pay your fare. The reusable plastic card stores cash value for rides on the CTA, then deducts reduced fares and transfers as shown:

**One Ride** .....**.85¢**

**First Transfer Use** .....**.15¢**  
(within two hours of initial ride)

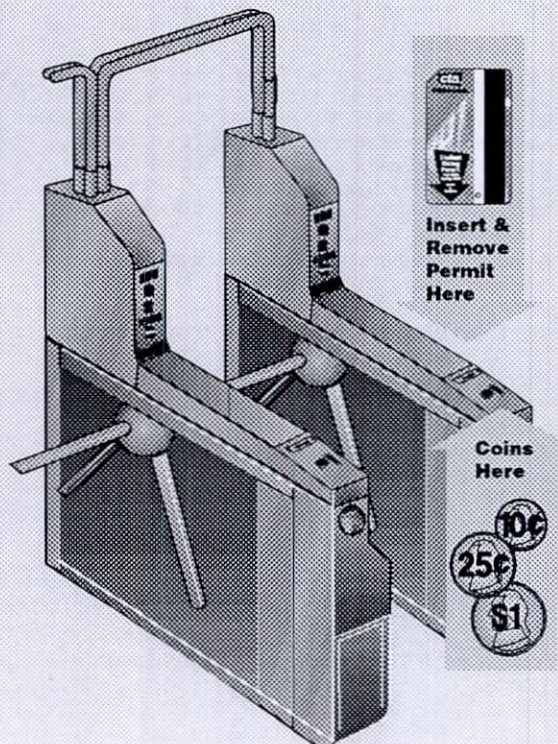
**Second Transfer Use** .....**FREE**  
(within two hours of initial ride)

## Card Benefits

- Easy to handle—no more fumbling with coins.
- Speeds boarding—on CTA buses and at rail stations.
- Stores your fare—so it's always there when you need it.
- Easy to use—automatically deducts exact fares and transfers.
- Fits your budget—add as much value as you want, whenever you want.
- Rechargeable—recharge your permit at any CTA Transit Card vending machine.

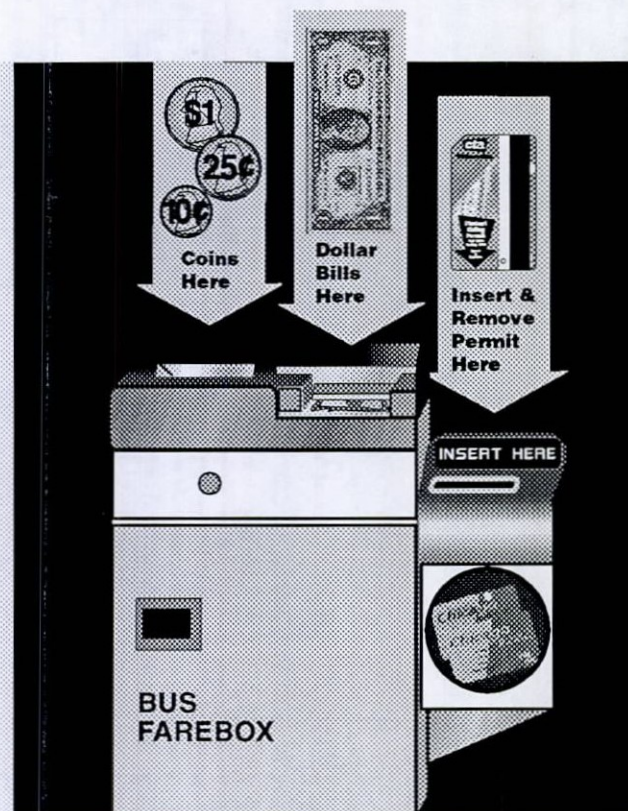
## At Rail Stations

- Insert your riding permit into the turnstile farecard slot with the magnetic stripe facing you and the black arrow pointing down.
- The turnstile automatically deducts your reduced fare or transfer. Your permit's remaining value will appear in the display window.
- The green "ENTER" light goes on. Take your riding permit and go through the turnstile.



## On Buses

- When boarding the bus, make sure you have enough value on your riding permit. If not, show your riding permit to the bus operator and deposit the correct amount into the farebox.
- If you have enough value, insert your riding permit into the farecard slot on the right side of the farebox. Make sure the magnetic stripe is facing you with the black arrow pointing down.

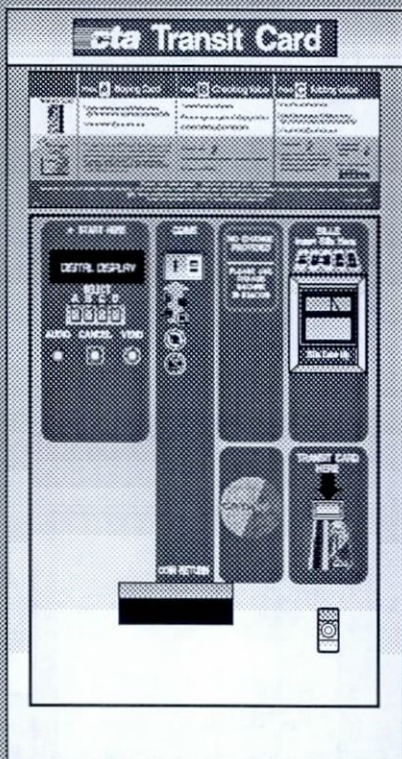


## How To Add Value To Student Riding Permits

Add value to your Magnetic Student Riding Permit at Transit Card vending machines located in all CTA rail stations. Use coins or bills to add value in any amount from 5¢ to \$91. You can also use vending machines to check your permit's remaining value.



**Important:**  
Vending machines do not provide change.



### Conditions

The conditions for use are also printed on the back of the Magnetic Student Riding Permit.

- The stored-value permit is valid on CTA & Pace.\*
  - CTA reserves the right to require the student to show valid school identification upon presentation of the permit.
  - Value can be added at CTA Transit Card vending machines only.
  - Rail station turnstiles and bus farecard machines automatically subtract fares and transfers.
  - Bus farecard machines, rail station turnstiles and Transit Card vending machines show remaining value and transfers.
  - Permit values cannot be combined to pay fares.
  - Permits cannot be shared.
  - The permit will not be valid on days when school is not in session and on the following holidays: Labor Day, Thanksgiving Day, Christmas Day through New Year's Day, Good Friday, and Memorial Day.
  - Purchaser does not have the right to have his/her permit replaced, refunded or redeemed for cash.
  - **BUS ONLY:** If permit contains insufficient value to pay for transfer charge on 2nd ride, pay transfer charge in coins.
- \*This permit is not valid on Pace Route 835.**

### How To Obtain The Magnetic Student Permit

There are two ways to obtain the Magnetic Student Permit:

- 1) Students can contact the school's permit administrator for an application.
- 2) Students can obtain an application as follows:  
Prior to October 1, 2004, applications can be picked up from CTA's Customer Sales Center on the 7th floor of the Merchandise Mart. After October 1, 2004, applications can be picked up from the CTA Sales Center, 567 W. Lake Street (Chicago), 2nd floor.

Prior to October 1, 2004, mail completed applications to Chicago Transit Authority, CTA Sales Center, Room 722, Merchandise Mart Plaza, P.O. Box 3555, Chicago, Illinois 60654. After October 1, mail completed applications to Chicago Transit Authority, Treasury/Finance, Attn: Student Permits, P.O. Box 7565, Chicago, Illinois 60680-7565. Once the application is processed, the magnetic permit will be mailed directly to your school's permit administrator for distribution.

- **A defective magnetic permit** can only be replaced in person. A replacement permit will be issued at the time the defective permit is brought in for exchange.

Prior to October 1, 2004, defective permits can be brought to CTA's Sales Center department on the 7th floor of the Merchandise Mart. After October 1, 2004, defective permits should be brought to the CTA Sales Center, 567 W. Lake Street (Chicago), 2nd floor.

- **A lost or stolen magnetic permit** may be replaced with a paper permit. The replacement will be processed through the mail and requires a 1"x1" color photo of the student, the application and the \$5.00 fee to be mailed to the CTA Sales Center. Please allow 10 days for delivery of the replacement permit.

### Questions? Call us.

CTA Student Permit Section: (312) 932-2923 or (312) 932-2926  
Monday through Friday, 8:00 a.m. to 4:30 p.m.

CTA Customer Service: 1-888-YOUR-CTA (1-888-968-7282)  
TTY: 1-888-282-8891. Monday through Friday, 7:00 a.m. to 8:00 p.m.